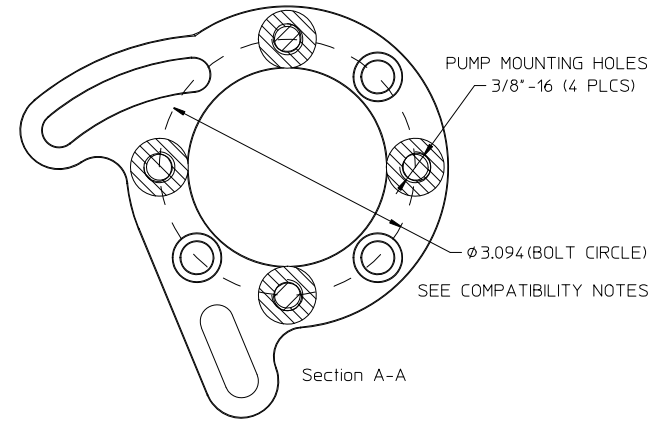


* BRACKET CAN BE FLIPPED OVER FOR OPPOSITE HAND MOUNTING
 * PUMP CAN BE INDEXED ON BRACKET EVERY 45° FOR BEST POSITIONING



| *A* DIMENSIONS WITH OPTIONAL PULLEYS | |
|------------------------------------------|-------|
| WITH 24T COMPOSITE PULLEY (SHOWN) | 5.03" |
| WITH 36T COMPOSITE PULLEY | 5.03" |
| WITH 24T ALUMINUM PULLEY | 4.75" |
| WITH 24T ALUMINUM PULLEY (TURNED AROUND) | 5.20" |
| WITH 36T ALUMINUM PULLEY | 4.75" |
| WITH 36T ALUMINUM PULLEY (TURNED AROUND) | 5.20" |

| PULLEY DIAMETERS | |
|----------------------|-------|
| 24T COMPOSITE PULLEY | 3.13" |
| 36T COMPOSITE PULLEY | 4.55" |
| 24T ALUMINUM PULLEY | 2.98" |
| 36T ALUMINUM PULLEY | 4.45" |

PUMP COMPATIBILITY NOTES
 OUR PUMP CAN BE MOUNTED TO THESE BRACKETS:
 MOROSO #63909 (BIG BLOCK FORD-DRIVER OR PASSENGER SIDE HEAD)
 MOROSO #63910 (ENGINE PLATE, SBC/BBC DRIVE OR PASSENGER SIDE HEAD)
 MOROSO #63911 (SMALL BLOCK FORD HEAD)
 MOROSO #63912 (BIG BLOCK CHRYSLER -DRIVER SIDE)
 MOROSO #63922 (GM LS DRIVER SIDE HEAD)
 MOROSO #63923 (GM LS PASSENGER SIDE HEAD)
 REHER-MORRISON #828-033 (RMRE BBC PASSENGER SIDE HEAD)
 REHER-MORRISON #838-030 (RMRE BBC DRIVER SIDE HEAD)

| | | |
|--------------------------------------------------------------------------------------------------------------------------------------|----------------------|---------------------------|
| 2 | | |
| 1 | | |
| 0 | | |
| REV. | REVISION DESCRIPTION | DATE |
| STAR MACHINE 7810 OAK AVENUE PARKVILLE, MD 21234 | | |
| DESCRIPTION GEN 2 SPORTSMAN PUMP | | |
| HEAT TREATING | MATERIAL | |
| HARDNESS | DEPTH | DESIGNED BY T HIGDON |
| SURFACE PREPARATION | SCALE | SHEET 1 OF 1 SIZE C |
| FINISH | | DRAWING NO. STR.19.05.000 |
| THIS DRAWING IS THE PROPERTY OF STAR MACHINE. IT SHALL NOT BE DISCLOSED OR COPIED WITHOUT THE WRITTEN AUTHORIZATION OF STAR MACHINE. | | |