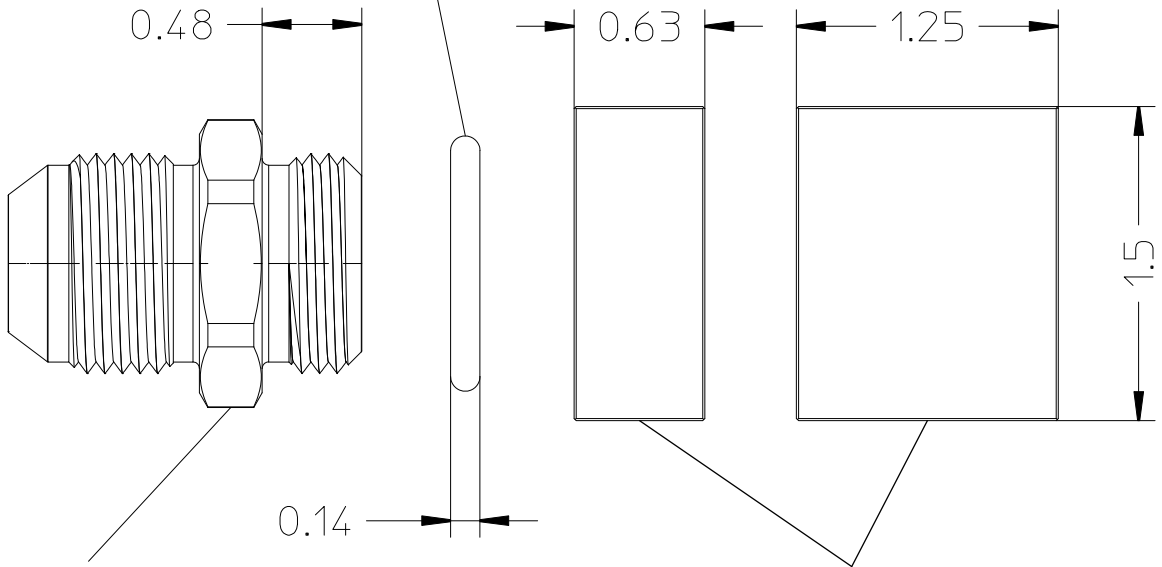
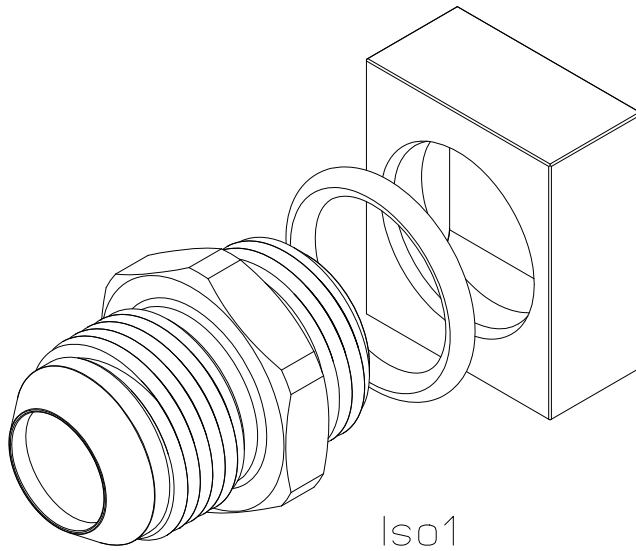


ORING SEAL



FITTING STR.07.10.001

BAFFLE BLOCK STR.06.11.000



Iso1

2		
1		
0		
REV.	REVISION DESCRIPTION	DATE

**STAR MACHINE**  
7810 OAK AVENUE  
PARKVILLE, MD. 21234

DESCRIPTION		BAFFLE, ENGINE OIL		
HEAT TREATING		MATERIAL		
HARDNESS		DEPTH	DESIGNED BY	
SURFACE PREPARATION		SCALE	SHEET	SIZE
FINISH		DRAWING NO.		
<p>THIS DRAWING IS THE PROPERTY OF STAR MACHINE. IT SHALL NOT BE DISCLOSED OR COPIED WITHOUT THE WRITTEN AUTHORIZATION OF STAR MACHINE.</p>		STR.06.11.001		

TOLERANCES UNLESS SPECIFIED	LINEAR (INCHES)	ANGULAR	BREAK ALL EDGES UNLESS SPECIFIED
	0.05--10 ± 0.005 11---20 ± 0.010 21---30 ± 0.015 31---40 ± 0.020 44---50 ± 0.030 51--100 ± 0.050	0-90 ± 0.25° 91-180 ± 0.50° 181-270 ± 0.75° 271-360 ± 1.00°	
TOLERANCES UNLESS SPECIFIED	GEOMETRIC (INCHES)		
	□ 0.05-10 ± 0.005 □ 11---20 ± 0.010 □ 21---30 ± 0.015 □ 31---40 ± 0.020 □ 44---50 ± 0.030 □ 51--100 ± 0.050	□ 0.05-20 0.005 □ 21---40 0.010 □ 41---50 0.015 □ 51--100 0.020	⊙ 0.002 ≡ 0-100 0.015