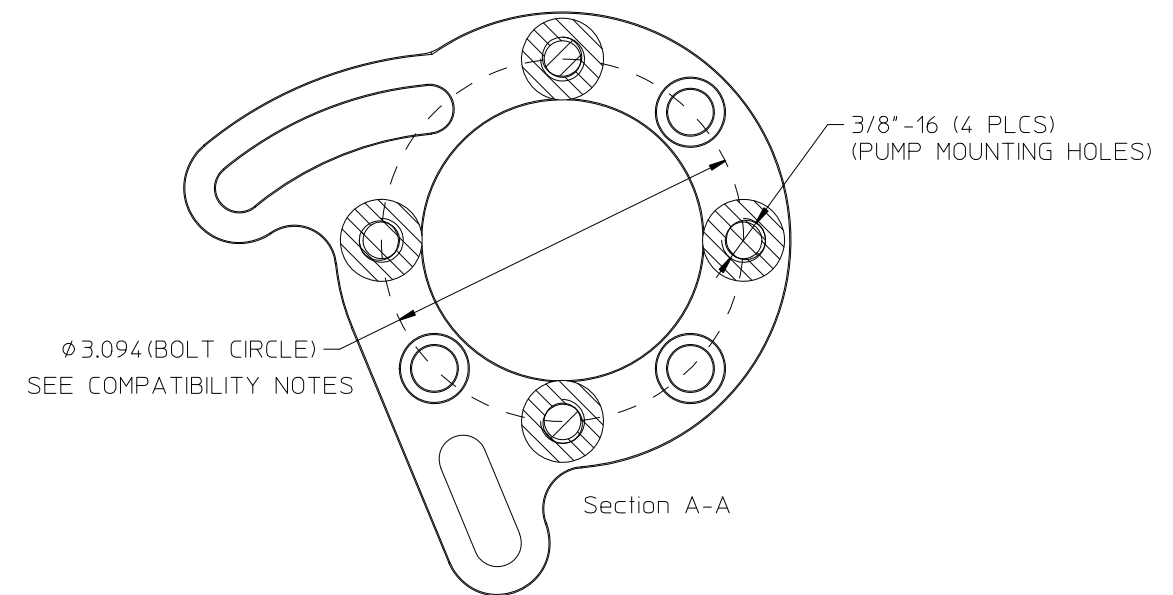


"A" DIMENSIONS WITH OPTIONAL PULLEYS	
WITH 24T COMPOSITE PULLEY (SHOWN)	5.03"
WITH 36T COMPOSITE PULLEY	5.03"
WITH 24T ALUMINUM PULLEY	4.75"
WITH 24T ALUMINUM PULLEY (TURNED AROUND)	5.20"
WITH 36T ALUMINUM PULLEY	4.75"
WITH 36T ALUMINUM PULLEY (TURNED AROUND)	5.20"

PULLEY DIAMETERS	
24T COMPOSITE PULLEY	3.13"
36T COMPOSITE PULLEY	4.55"
24T ALUMINUM PULLEY	2.98"
36T ALUMINUM PULLEY	4.45"



**PUMP COMPATIBILITY NOTES**

OUR PUMP CAN BE MOUNTED TO THESE BRACKETS:

- MOROSO #63909 (BIG BLOCK FORD-DRIVER OR PASSENGER SIDE HEAD)
- MOROSO #63910 (ENGINE PLATE, SBC/BBC DRIVE OR PASSENGER SIDE HEAD)
- MOROSO #63911 (SMALL BLOCK FORD HEAD)
- MOROSO #63912 (BIG BLOCK CHRYSLER -DRIVER SIDE)
- MOROSO #63922 (GM LS DRIVER SIDE HEAD)
- MOROSO #63923 (GM LS PASSENGER SIDE HEAD)
- REHER-MORRISON #828-033 (RMRE BBC PASSENGER SIDE HEAD)
- REHER-MORRISON #838-030 (RMRE BBC DRIVER SIDE HEAD)

- \* BRACKET CAN BE FLIPPED OVER FOR OPPOSITE HAND MOUNTING
- \* PUMP CAN BE INDEXED ON BRACKET EVERY 45° FOR BEST POSITIONING

2		
1		
0		
REV.	REVISION DESCRIPTION	DATE
<b>STAR MACHINE</b> GEN 2 SPORTSMAN PUMP		
7810 OAK AVENUE PARKVILLE, MD. 21234		
HEAT TREATING	MATERIAL	
HARDNESS	DEPTH	DESIGNED BY T HIGDON
SURFACE PREPARATION		SCALE 1 OF 1 SIZE C
FINISH		DRAWING NO. STR.19.05.000
<small>           TOLERANCES UNLESS SPECIFIED: LINEAR (INCHES) 0.05-10 ± 0.005, 11-20 ± 0.010, 21-30 ± 0.015, 31-40 ± 0.020, 44-50 ± 0.030, 51-100 ± 0.050; ANGULAR 0-90 ± 0.25°, 91-180 ± 0.50°, 181-270 ± 0.75°, 271-360 ± 1.00°; GEOMETRIC (INCHES) 0.05-20 ± 0.005, 21-40 ± 0.010, 41-50 ± 0.015, 51-100 ± 0.020; BREAK ALL EDGES UNLESS SPECIFIED.         </small>		
<small>           THIS DRAWING IS THE PROPERTY OF STAR MACHINE. IT SHALL NOT BE DISCLOSED OR COPIED WITHOUT THE WRITTEN AUTHORIZATION OF STAR MACHINE.         </small>		