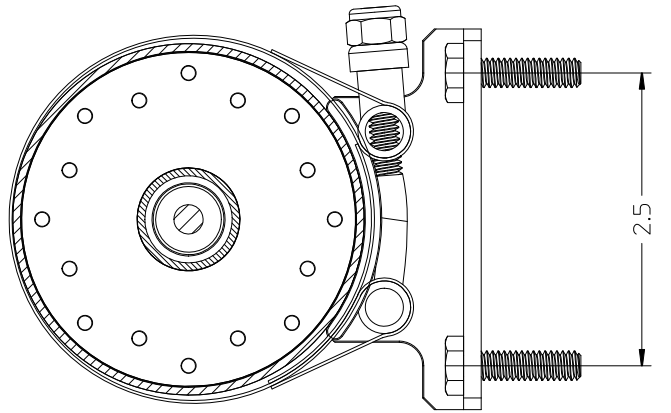


Section A-A



Section B-B

2		
1		
0		
REV.	REVISION DESCRIPTION	DATE

STAR MACHINE 7810 OAK AVENUE PARKVILLE, MD. 21234		TANK, EXHAUST	
HEAT TREATING		MATERIAL	
HARDNESS		DEPTH	DESIGNED BY T HIGDON
SURFACE PREPARATION		SCALE	SHEET 1 OF 1 SIZE C
FINISH		DRAWING NO. STR.18.12.000	

LINEAR (INCHES)	ANGULAR
0.05--10 ± 0.005	0-90 ± 0.25°
11--20 ± 0.010	91-180 ± 0.50°
21--30 ± 0.015	181-270 ± 0.75°
31--40 ± 0.020	271-360 ± 1.00°
44--50 ± 0.030	
51--100 ± 0.050	

GEOMETRIC (INCHES)
0.05-10 ± 0.005
11-20 ± 0.010
21-30 ± 0.015
31-40 ± 0.020
44-50 ± 0.030
51-100 ± 0.050

THIS DRAWING IS THE PROPERTY OF STAR MACHINE.
IT SHALL NOT BE DISCLOSED OR COPIED WITHOUT
THE WRITTEN AUTHORIZATION OF STAR MACHINE.