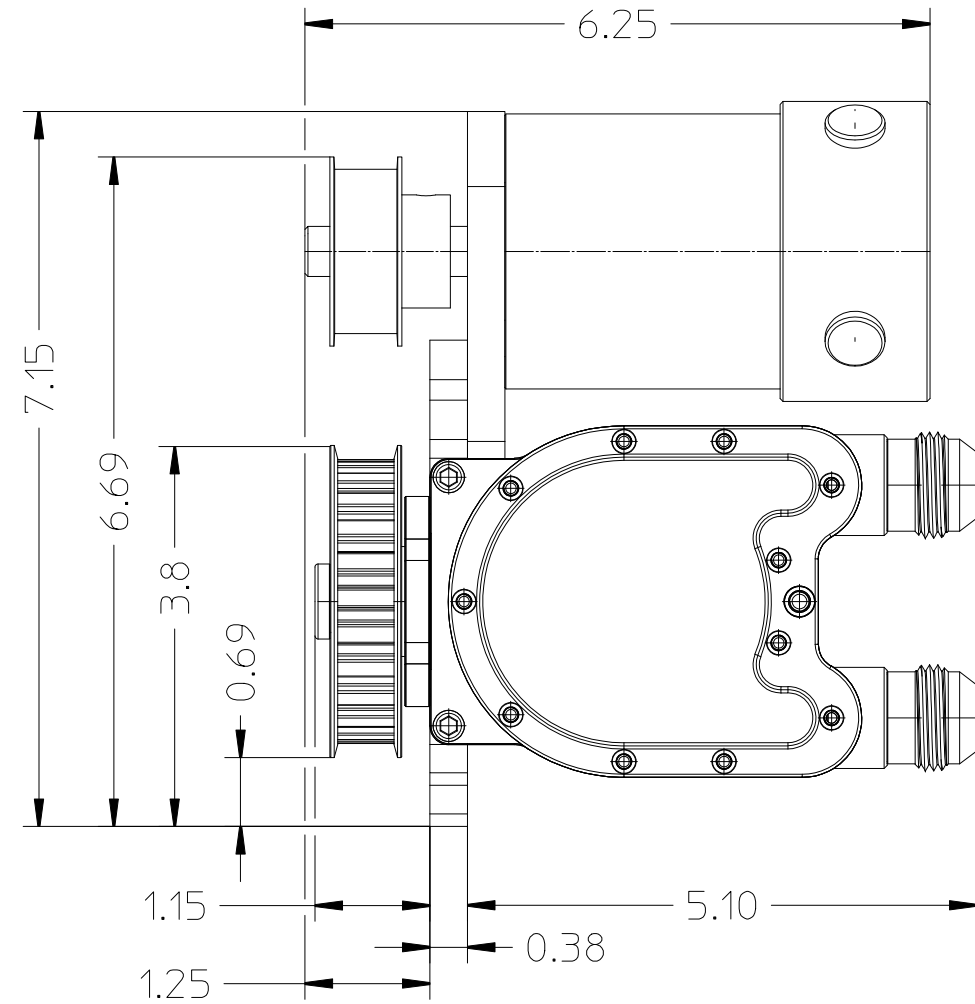
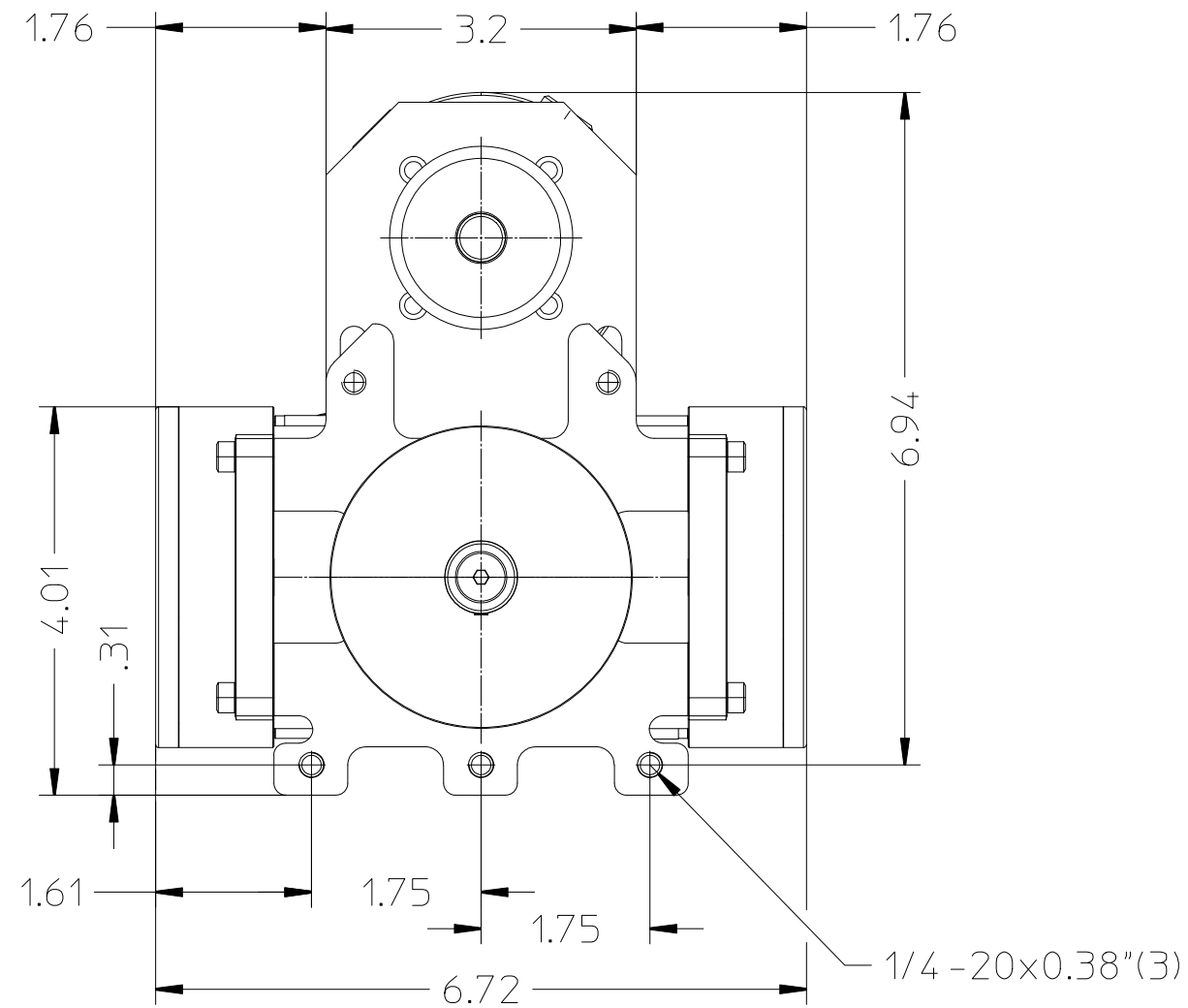


# RETROFIT: MOTOR TO HEAVY DUTY MOTOR NO FAN (BELT DRIVE)



2					
1					
0					
REV.		REVISION DESCRIPTION			DATE
<b>STAR MACHINE</b> 7810 OAK AVENUE PARKVILLE, MD. 21234		DESCRIPTION 24V HEAVY DUTY EVP, BELT DRIVE			
		HEAT TREATING	MATERIAL		
		HARDNESS	DEPTH	DESIGNED BY T HIGDON	
		SURFACE PREPARATION		SCALE	SHEET 1 OF 1
		FINISH		SIZE B	
		BREAK ALL EDGES UNLESS SPECIFIED		DRAWING NO. STR.18.08.200	
TOLERANCES UNLESS SPECIFIED LINEAR (INCHES) 0.05--10 ± 0.005 11--20 ± 0.010 21--30 ± 0.015 31--40 ± 0.020 44--50 ± 0.030 51--100 ± 0.050 ANGULAR 0-90 ± 0.25° 91-180 ± 0.50° 181-270 ± 0.75° 271-360 ± 1.00° GEOMETRIC (INCHES) 0.05-10 ± 0.005 11--20 ± 0.010 21--30 ± 0.015 31--40 ± 0.020 44--50 ± 0.030 51--100 ± 0.050 0.002 0-100 0.015		THIS DRAWING IS THE PROPERTY OF STAR MACHINE. IT SHALL NOT BE DISCLOSED OR COPIED WITHOUT THE WRITTEN AUTHORIZATION OF STAR MACHINE.			