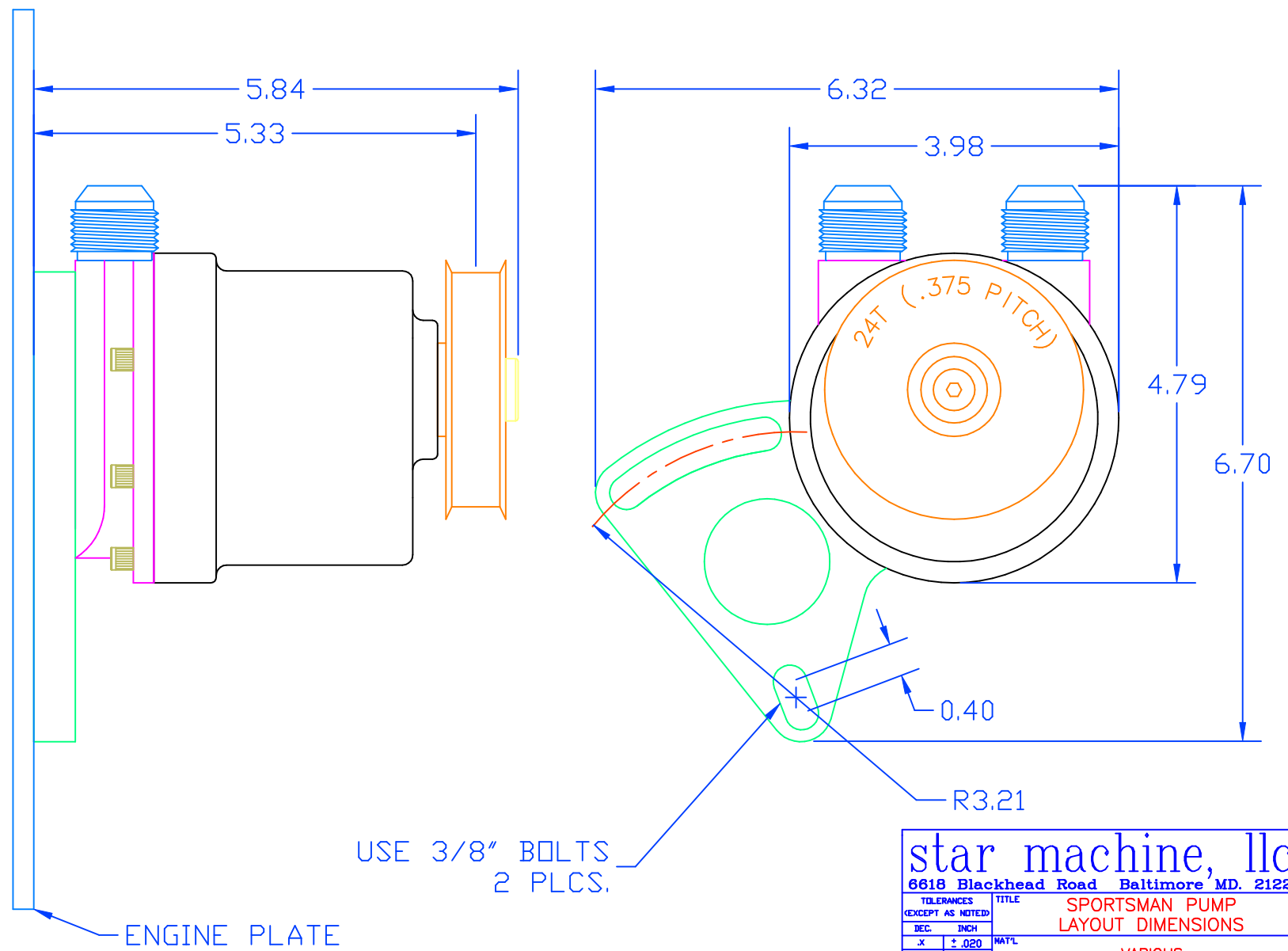


REVISION DETAILS	REV	DATE



star machine, llc.  
6618 Blackhead Road Baltimore MD, 21220

TOLERANCES (EXCEPT AS NOTED)		TITLE
DEC.	INCH	SPORTSMAN PUMP LAYOUT DIMENSIONS
.X	± .020	MAT'L
.XX	± .010	VARIOUS
.XXX	± .005	FINISH
ANGULAR		VARIOUS
X	± 1.0°	DRAWN
X.X	± 0.5°	DATE
		T.HIGDON
		DATE
		4/03
		DRAWING NO.
		STR.04.01.000
		SHEET
		1 OF 1

THIS DRAWING IS PROPRIETARY AND PROVIDED ONLY TO FACILITATE THE OPERATION AND MAINTENANCE OF STAR MACHINE, LLC. SUPPLIED EQUIPMENT. NO FURTHER DISCLOSURE OR USE IS TO BE MADE WITHOUT WRITTEN AUTHOURIZATION FROM STAR MACHINE, LLC.