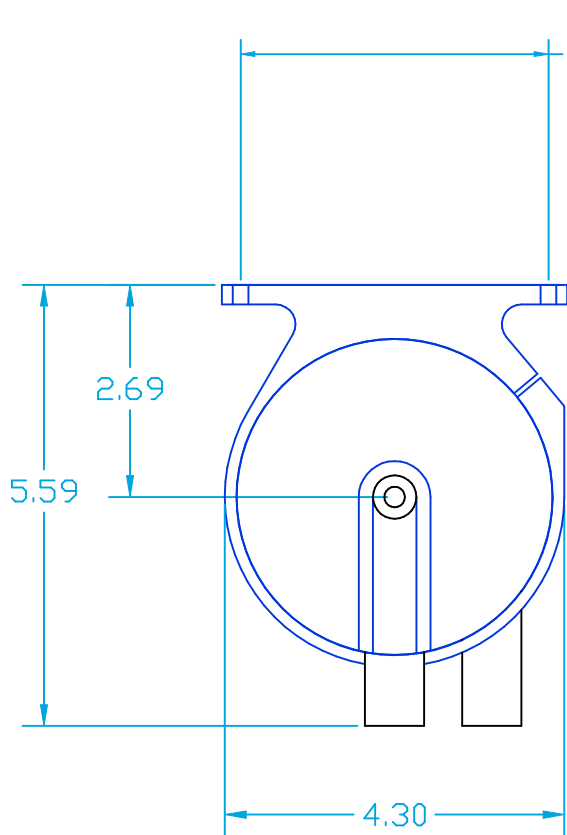
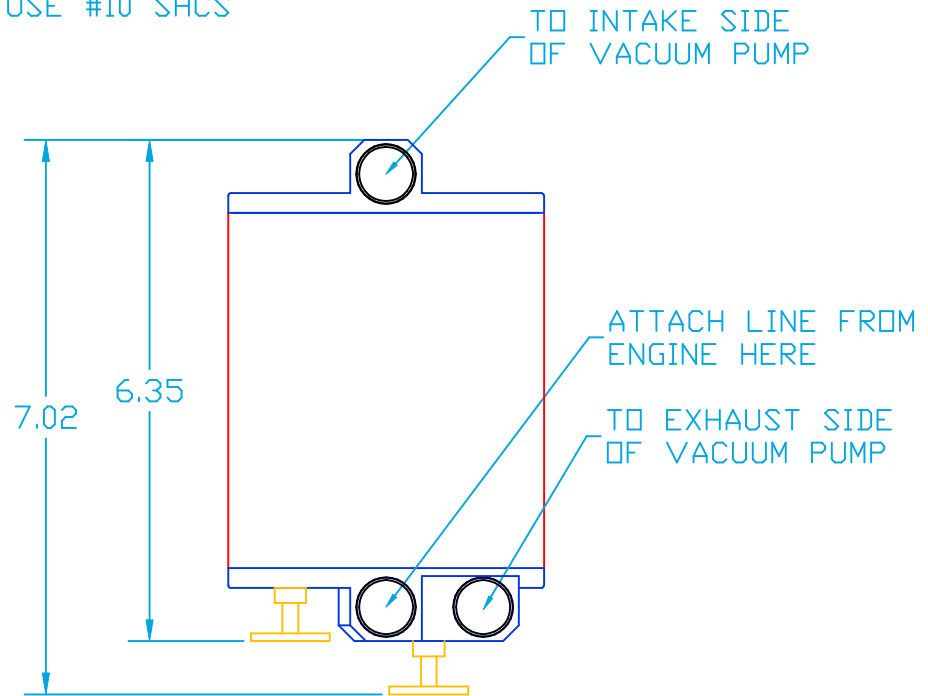


REVISION DETAILS	REV	DATE



3.900
MOUNTING HOLE CENTER DISTANCE
USE #10 SHCS



star machine, llc.
6618 Blackhead Road Baltimore MD. 21220

TOLERANCES (EXCEPT AS NOTED)		TITLE	
DEC.	INCH	INTAKE/EXHAUST RESIVOIR LAYOUT DRAWING	
.X	± .020	MAT'L	
.XX	± .010	VARIOUS	
.XXX	± .005	FINISH	
ANGULAR		VARIOUS	
X	± 1.0°	DRAWN	DATE
XX	± 0.5°	T.HIGDON	6/02
		DRAWING NO.	
		STR.02.09.000	
		SHEET	
		1 OF 1	

THIS DRAWING IS PROPRIETARY AND PROVIDED ONLY TO FACILITATE THE OPERATION AND MAINTENANCE OF STAR MACHINE, LLC. SUPPLIED EQUIPMENT. NO FURTHER DISCLOSURE OR USE IS TO BE MADE WITHOUT WRITTEN AUTHOURIZATION FROM STAR MACHINE, LLC.