



EXHAUST TANK INSTRUCTIONS STR.18.12.000

This new vacuum pump accessory is yet another example of Star Machines' continuing effort to offer only the finest vacuum components to the motorsports industry. Constructed of aluminum and CNC machined, the tank can be disassembled for ease of regular care and maintenance.

Attach the bracket to the tank with the t-bolt clamp, lightly clamped for now. Find a suitable location for the tank allowing access to the drain and ease of removal of the tank (sometimes it may be necessary to install a remote drain). Note that the top and bottom of the tank can be rotated to optimize fitment. Use the two 1/4"-20 hex head bolts and washers to mount the bracket. Install the screw heads as shown allowing the t-bolt clamp to be mounted as shown in the view Section B-B. Consider the bracket a "U", installed as shown with the open part of the "U" facing up. The hole center distance is 2.50".

The top plate is oring sealed to the cylinder. The tank can remain in or remove from the bracket for maintenance. To disassemble the tank remove the Filter top then remove the hex head bolt now visible.

The tank will do an excellent job of capturing a reasonable amount of oil. It is not a cure for excessive leakage that results in a large volume of oil.

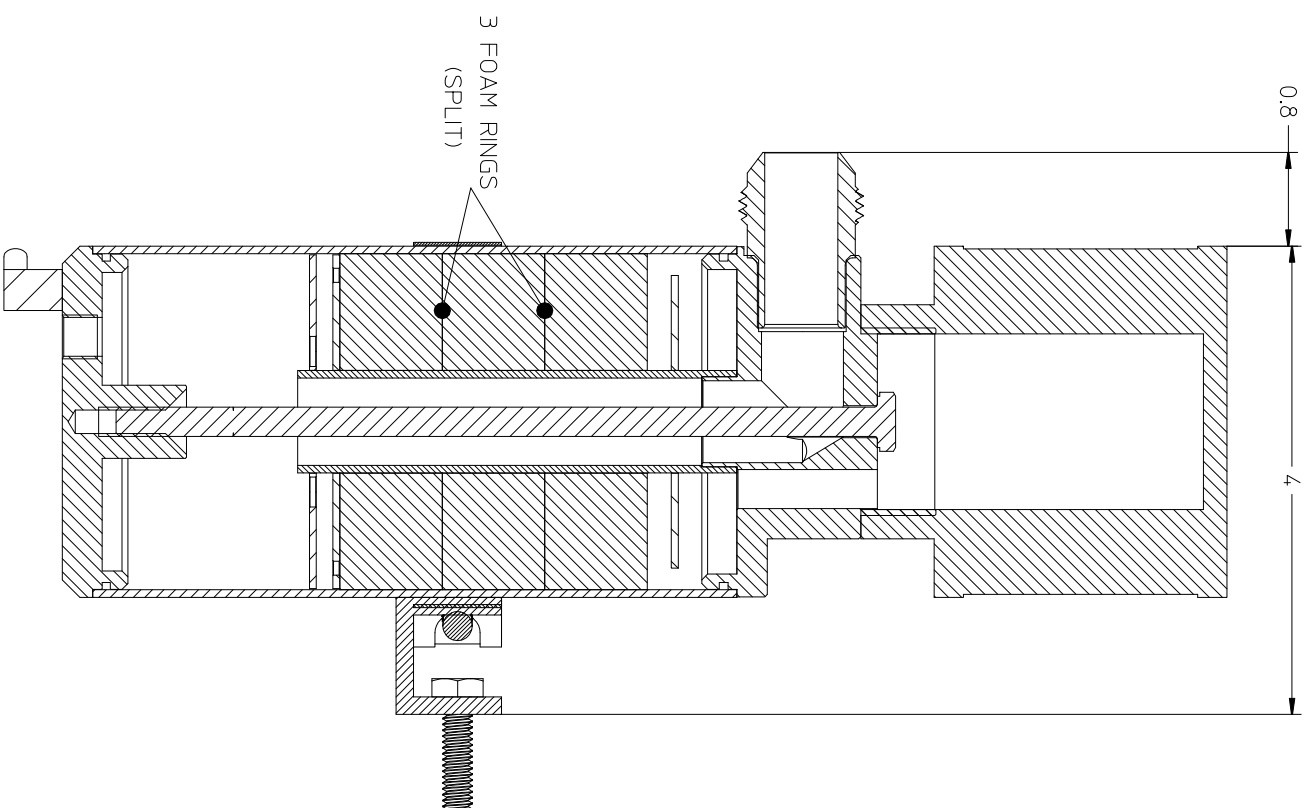
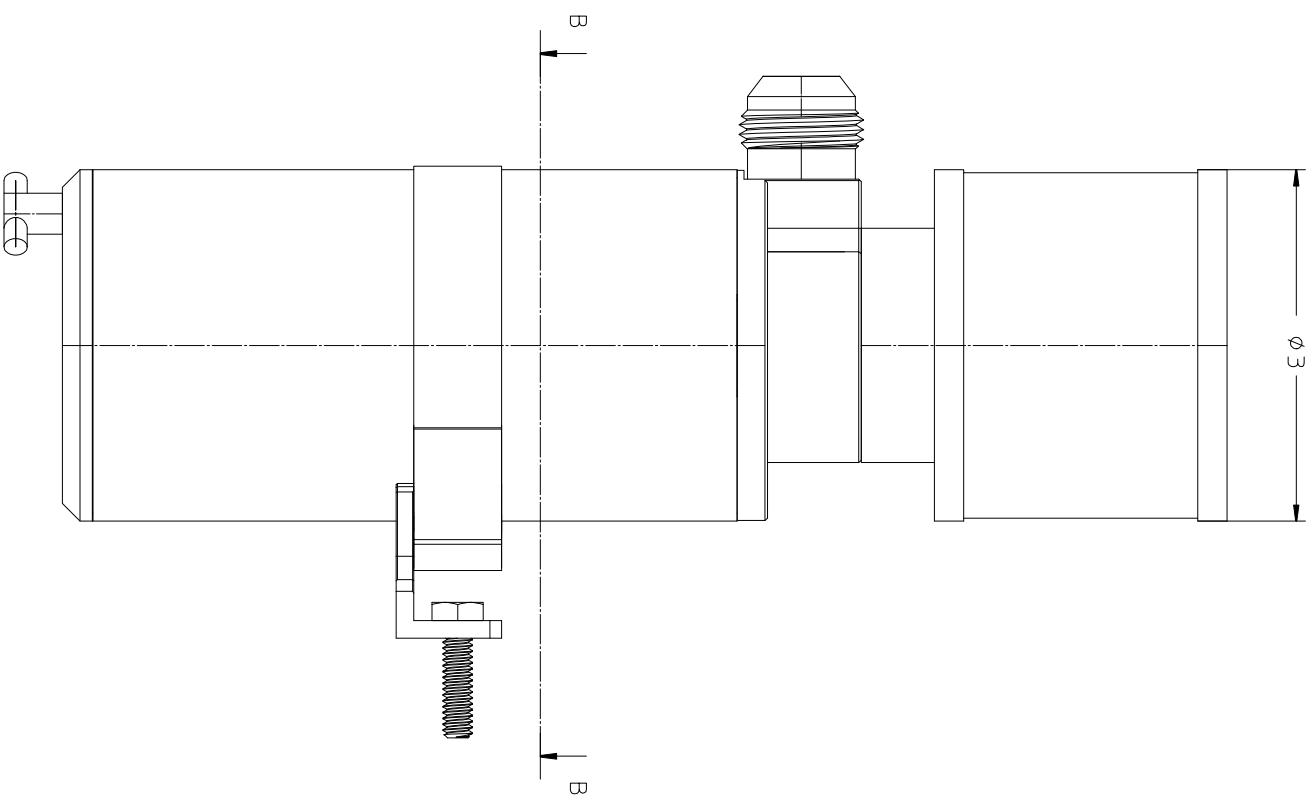
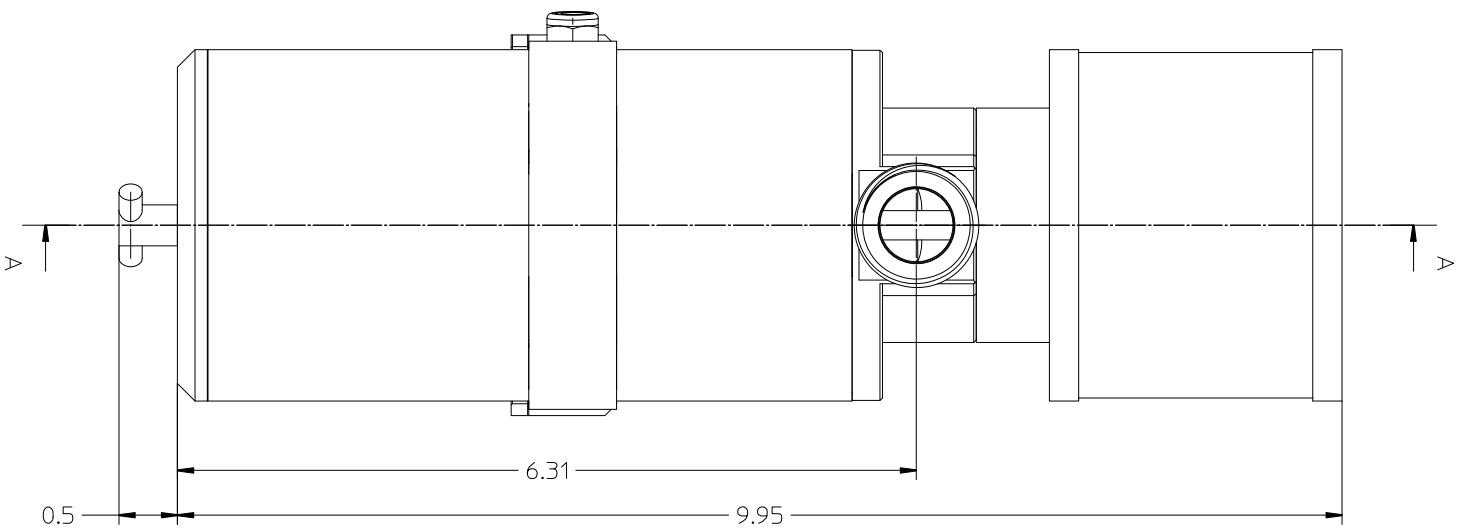
When first using the tank monitor the amount of oil inside by opening the drain after each run. This will give an indication of how often to drain the tank.

FOR MORE DETAILED INFORMATION ON ALL OUR PRODUCTS VISIT US AT STARVACUUMPUMPS.COM

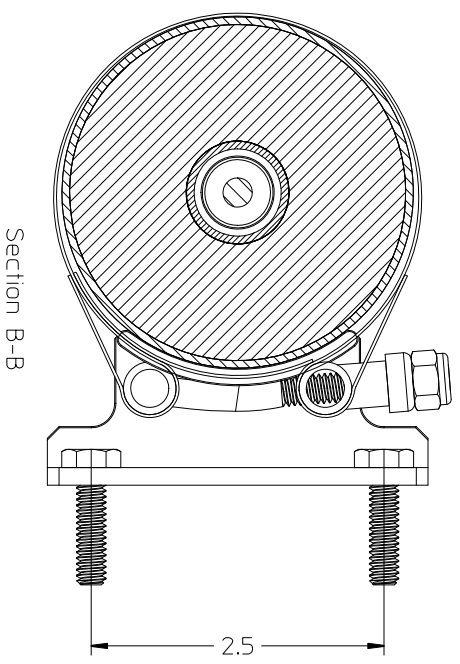
STAR MACHINE
7810 OAK AVENUE
PARKVILLE, MARYLAND 21234

PHONE: 667.210.3874
FAX: 410.661.2467
EMAIL: STARVACUUMPUMPS@GMAIL.COM





Section A-A



Section B-B

REV.	REVISION DESCRIPTION	DATE
2		
1		
0		

STAR MACHINE
7810 OAK AVENUE
PARKVILLE, MD. 21284

HEAT TREATING
TANK, VACUUM PUMP EXHAUST

DESIGNED BY T. HIGDON

SCALE 1 OF 1 SHEET 1 SIZE C

STR.18.12.000

DRAWING NO.

TOLERANCES UNLESS SPECIFIED	
0.05-1.0	± 0.005
1.0-1.5	± 0.010
1.5-2.0	± 0.015
2.0-3.0	± 0.020
3.0-4.0	± 0.025
4.0-5.0	± 0.030
5.0-10.0	± 0.050
GEOMETRIC (INCHES)	
0.05-1.0	± 0.005
1.0-1.5	± 0.010
1.5-2.0	± 0.015
2.0-3.0	± 0.020
3.0-4.0	± 0.025
4.0-5.0	± 0.030
5.0-10.0	± 0.050
ANGULAR	
0-90	± 0.5°
91-180	± 0.5°
181-270	± 0.75°
271-360	± 1.0°
FINISH	
0.0007	± 0.0007
0.001	± 0.001
0.002	± 0.002
0.005	± 0.005
0.015	± 0.015
0.030	± 0.030
0.060	± 0.060
0.125	± 0.125
0.250	± 0.250
0.500	± 0.500
1.000	± 1.000

BREAK ALL EDGES UNLESS SPECIFIED

THE DRAWING IS THE PROPERTY OF STAR MACHINE
IT SHALL NOT BE DISCLOSED OR COPIED WITHOUT
THE WRITTEN AUTHORIZATION OF STAR MACHINE.